



Wide View Ski Mirror Installation Instructions

Attwood marine hardware, navigational lighting, bilge pumps, and other marine accessories are specified more than any other brand by America's best-known boat manufacturers as original equipment. Look to Attwood for quality replacement parts and marine accessories.

Form Number 69277 Rev. B

03-10

FEATURES

Attwood 9070 Wide View Ski Mirrors provide exceptional wide-angle optical clarity through the use of an all glass mirror. The Mirror's special base can be mounted on windshields from 5/8" (or thinner with customer's own spacer) to 1" thick. The mirror's special design also allows it to be mounted on any flat surface, such as the dash.

NOTICE:

State and local regulation requirements may vary. Check your local authorities to determine if this mirror meets all requirements.

CAUTION:

Mirror surface is made from glass for quality and optical clarity. Do not twist, bend, drop or hit mirror head.

REQUIRED FOR INSTALLATION

- Phillips head screwdriver
- Small flat-head screwdriver
- 2 - #10 stainless panhead screws (for surface mounting only)
- Drill and suitable drill bit (for surface mounting only)

INSTALLATION INSTRUCTIONS

Determine the best location for mounting the mirror.

NOTE: Temporarily place the mirror in the desired location while checking the field of view. Make certain that the mirror does not block forward vision.

The mirror can be either clamped to the windshield frame, or mounted to a flat surface such as the top of the dash. Once the best location is determined and the field of view has been checked, proceed to the bracket mounting instructions.

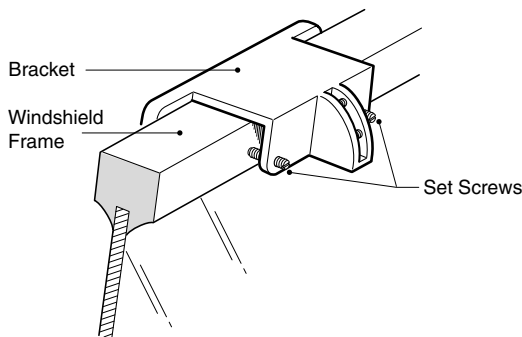
BRACKET MOUNTING INSTRUCTIONS

Windshield Mount: (figure 1)

Place the bracket over the windshield frame and clamp by tightening the two setscrews that are installed in the base. **DO NOT OVER TIGHTEN.**

On windshield frames less than 5/8" thick, place a rigid spacer between the setscrews and the frame.

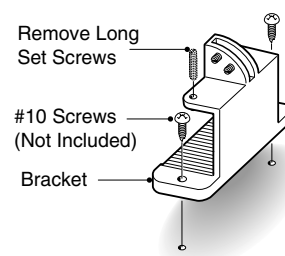
Figure 1



Flat Surface Mount: (figure 2)

Select a suitable location making sure that the holes can be drilled without damaging hidden wires, etc. Place bracket in desired location and mark hole locations. After drilling holes, install bracket with #10 screws and tighten securely. After surface mounting, remove the two setscrews from the base.

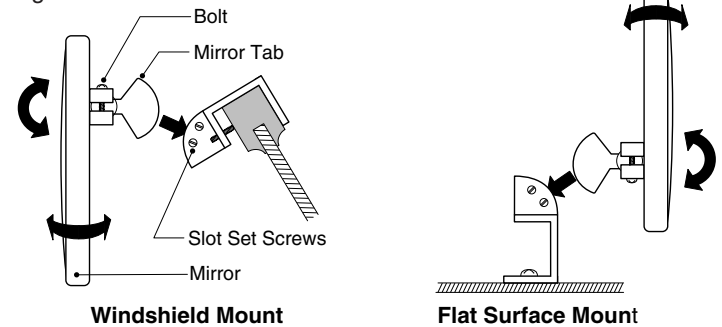
Figure 2



MIRROR MOUNTING INSTRUCTIONS (FIGURE 3)

1. Insert the tab on the back of the mirror into the slot in the bracket. Orient the mirror to the desired position making sure that both setscrews are making contact with the tab. Tighten the setscrews enough to hold the mirror into place. Make certain the mirror is correctly placed and has sufficient adjustment to accommodate users of different heights. Fully tighten setscrews without over tightening.
2. Adjust the mirror to the desired position. Lightly tighten bolts on the back of the mirror. If the mirror moves during use, tighten bolts further.

Figure 3



ATTWOOD LIMITED WARRANTY

Attwood Corporation, 1016 North Monroe, Lowell, Michigan 49331 ("Attwood") warrants to the original consumer purchaser that Attwood brand products will be free from defects in materials and workmanship under normal use and service for one year from the date of original consumer purchases.

This limited warranty is not applicable if the product has been damaged by accident, improper installation, unreasonable or improper use, lack of proper maintenance, unauthorized repairs or modifications, normal wear and tear, or other causes not arising out of defects in materials or workmanship.

Attwood products are warranted for use on pleasure boats. Any other use — including but not limited to commercial, racing, or non-marine use — are not covered under this warranty. Attwood's obligation under this warranty is limited to repair of the product at Attwood's plant or replacement of the products at Attwood's option without expense to the original consumer purchaser. Any expenses involved in the removal, reinstallation or transportation of the product are not covered by this warranty. The product must be returned to Attwood's plant at the address above, postage pre-paid, and insured with proof of original purchase including date. If Attwood is unable to replace the product and repair is not commercially practical or cannot be timely made, or if the original consumer purchaser is willing to accept a refund in lieu of repair or replacement, Attwood may refund the purchase price, less an amount for depreciation. The acceptance by Attwood of any product returned or any refund provided by Attwood shall not be deemed an admission that the product is defective or in violation of any warranty. Products that are replaced or for which a refund is issued become the property of Attwood.

This warranty is Attwood's only expressed warranty of these products. No implied warranty including, without limitation, the implied warranties of merchantability and fitness for a particular purpose, shall be extended beyond the warranty period stated above for each product. Attwood shall not be liable for any damages, for loss of use of this product, nor for any other incidental or consequential damages, costs, or expenses.

Some states do not allow limitations on how long an implied warranty lasts or the exclusion or limitation of incidental or consequential damages, so the above limitations and exclusions may not apply to you. This warranty gives you specific legal rights, and you may have other rights which vary from state to state.