

MIRROR INSTALLATION INSTRUCTIONS

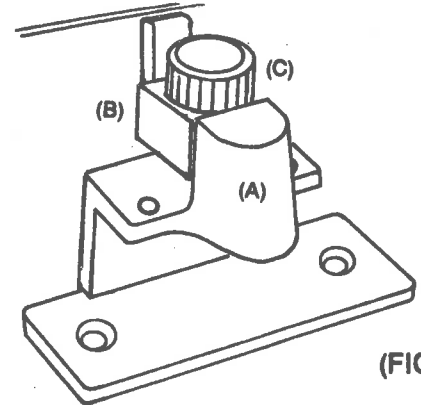
Stock No. 13055 - 4

DECK OR. DASH MOUNTED MIRROR

Needed for installation:

- (1) 1/8" dia. drill
- (2) # 10x1" Oval Head Screws
- (3) Screwdriver

Note: Set screws (F) in Fig. 2. are not required for this mounting.



(FIG. 1)

1. Select desirable location at or near centerline of boat.
2. Mark hole locations on dash by using mounting bracket (A) sub-assembly as a template.
3. Drill (2) 1/8" dia. holes into dash at marked location.
4. Secure mounting bracket sub-assembly (A) to dash using (2) # 10x1" oval head screws or equivalent.
5. Remove knurled adjusting knob (C) from mounting bracket sub-assembly (A).
6. Assemble mirror sub-assembly (B) to threaded stud of mounting bracket sub-assembly (A). Be sure the teeth of each sub-assembly are facing each other as shown in Fig. 1 and 2.
7. Replace knurled adjusting knob (C).
8. After mirror has been adjusted to desired position, secure by tightening knurled adjusting knob.

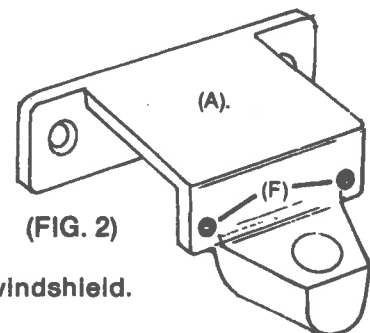
WINDSHIELD MOUNTED MIRROR

Needed for installation:

- (1) Screwdriver • small

1. Place mounting bracket sub-assembly (A) at or near centerline of windshield.
2. Secure to windshield by tightening (2) set screws (F).
3. Repeat steps 5 thru 8 above.

Note: Should vertical or horizontal adjustment become necessary use a 1/8" hex wrench (Included).



(FIG. 2)

attwood[®]