



Battery Box Clamp Installation Instructions

9065, 9067, 9069

Attwood marine hardware, navigational lighting, bilge pumps, and other marine accessories are specified more than any other brand by America's best-known boat manufacturers as original equipment. Look to Attwood for quality replacement parts and marine accessories.

SAVE THESE INSTRUCTIONS

Form Number 69336 Rev. C

03-10

INSTALLATION INSTRUCTIONS

1. Lay template on boat floor. Center clamps lengthwise on box so they fit up into bottom groove.
2. Locate and mount clamps on flat surface of boat floor, using template and screws provided. Figure 1
3. Route strap under clamp opening, making sure buckle is positioned properly on top.
4. Place box over clamps so that lip on box bottom sits outside clamps.
5. After battery installation, buckle strap over cover per Figure 2.



CAUTION

Be sure battery box is in a properly vented compartment.

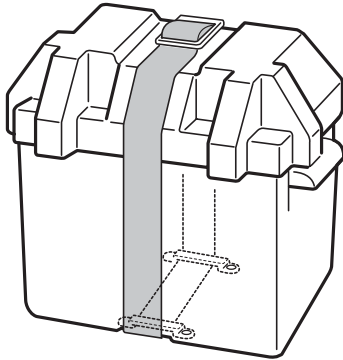


Figure 1

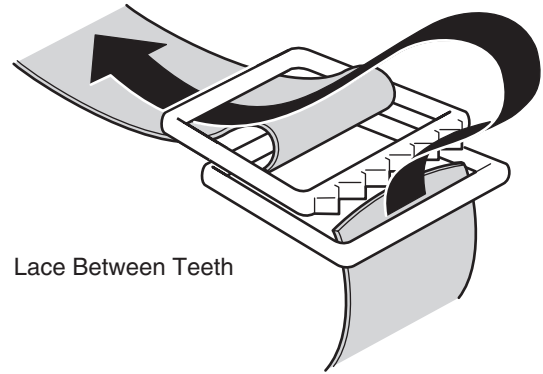


Figure 2

