



Pontoon Bimini Top

Assembly and Installation Instructions

Attwood marine hardware, navigational lighting, bilge pumps, and other marine accessories are specified more than any other brand by America's best-known boat manufacturers as original equipment. Look to Attwood for quality replacement parts and marine accessories.

SAVE THESE INSTRUCTIONS

Form Number 19385R Rev. B

04-07

This Attwood Bimini Top requires some assembly before installation. Please read these instructions carefully.

REQUIRED FOR INSTALLATION

- Drill and 9/64" bit
- Phillips screwdriver

Check contents of your carton against the parts lists below.

Quantity	Description
2	Long Outside Bow Sections
2	Medium Outside Bow Sections
4	Short Outside Bow Sections
4	Center Bow Sections
2	Tie-Down Straps
4	Pad Eyes
16	#12 Sheet Metal Screws
12	#10 x 3/4" Screws
2	Frame Deck Hinges (with straight slot screw)
2	Support Pole Deck Hinges (with clevis pin)
2	Top Support Poles



Pad Eye



Jaw Slide



Deck Hinge



Inside Eye

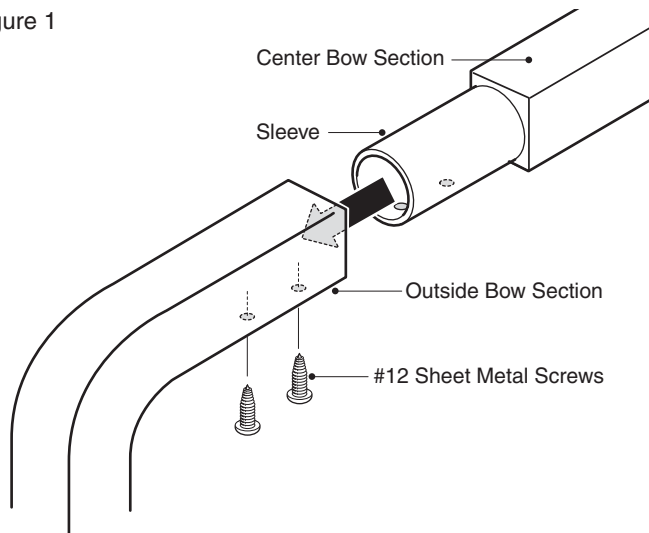
ASSEMBLE BOWS

1. Assemble all bows from two equal-length end sections and one center section.

Insert sleeves of the center sections into the end sections. Align predrilled holes at both ends and attach with 4 #12 sheet metal screws, 2 on each side. (See Figure 1)

2. Spread fabric top upside down on a flat surface so the label sewn into the fabric is visible. This label identifies the rear of the cover.

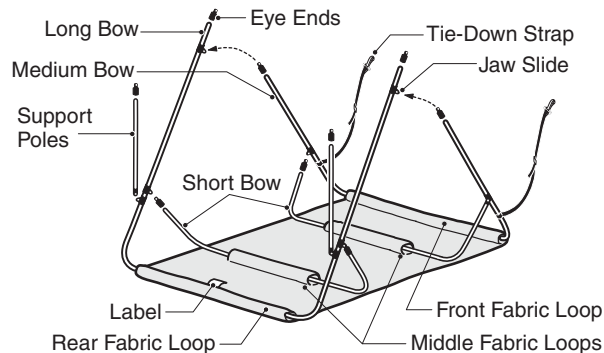
Figure 1



INSTALL FABRIC ON FRAME

1. Hold the assembled longest bow over the rear fabric loop (where the label is sewn) with ends up. Screws on jaw slides must be toward the inside of the bimini top. Thread the bow through the rear fabric loop. (See Figure 2)
2. Thread the medium bow through the front fabric loop.
3. Slide the remaining short bows through the middle fabric loops.
4. To complete the frame assembly, remove screws from all jaw slides. Insert eye ends of the middle and front bows into the jaw slides, reinsert screws, and tighten.

Figure 2



INSTALL FRAME ON BOAT

NOTE: To choose the installation site for the assembled bimini frame:

- Open the top and place it over the area you want to cover.
- When folded flat, the frame should be as far aft as possible so it does not interfere with movement in the cockpit.

1. Hold the assembled frame with the fabric label toward the rear of the boat. Spread it out over the area you wish to cover (this will be easier with the help of another person).
2. Mark the location of the deck hinge.

IMPORTANT: It is critical to mount both deck hinges parallel to each other and at the same location on both sides of the boat. Measure reference points on boat side to be sure both deck hinges are at the same front-to-rear position. (See Figure 3)

3. Place deck hinge on the rail at the marked position. Mark the screw holes. (See Figure 4)
4. Drill 9/64" holes. If installing into gel coat, use a countersink to help prevent chipping. Bed all holes with silicone caulk to help prevent water from seeping around screws. Use provided #10 x 3/4" screws to install deck hinges.
5. Loosen screws in deck hinges. Install the bimini frame eye ends into deck hinges and replace the screws.
6. Fold the frame flat toward the bow.

Figure 3

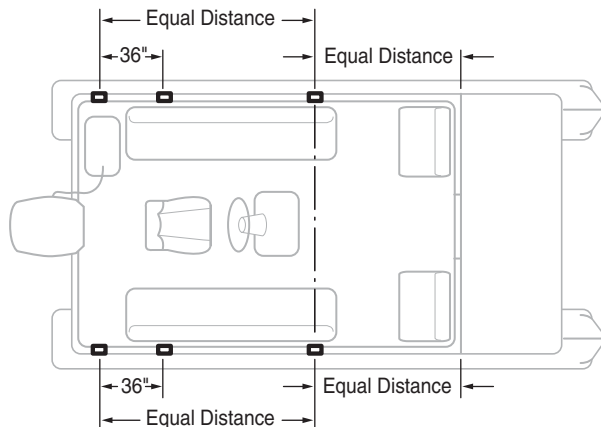
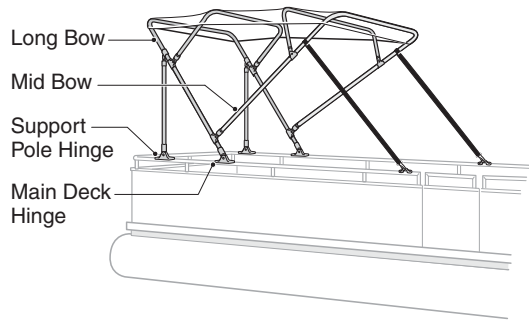


Figure 4



INSTALL SUPPORT POLES

1. Mark position of the support pole deck hinges exactly 36" back of the main deck hinges. Measure from center of the main deck hinges to center of support pole deck hinges. (See Figure 4)

2. Install support pole deck hinges. While installing, fasten clevis pin cables (one on each hinge) with #10 x 3/4" supplied screws.
3. Install the support pole eye ends into the deck hinges and insert clevis pins.
4. Spread out the bimini frame and hold it level with the floor. Extend the tie-down straps forward and mark location for pad eyes. Measure distance from the main mount deck hinge to be certain both pad eyes are at equal distance from hinges. At marked position install pad eyes with provided screws.
5. Clip hold-down straps to the pad eyes. Adjust strap buckles so top is tight and level.

BUGGY-STYLE PONTOON (WITH TAILS)

1. To fit tails properly, pull the tails straight down and mark the snap locations onto rails.
2. Drill 1/8" hole where each snap was marked to rail. Install supplied screw stud into hole. Repeat for all snaps.
3. Snap tails to the rail.

ATTWOOD LIMITED WARRANTY Attwood Corporation, 1016 North Monroe, Lowell, Michigan 49331 ("Attwood") warrants to the original consumer purchaser that Attwood brand products will be free from defects in materials and workmanship under normal use and service for five years from the date of original consumer purchases.

This limited warranty is not applicable if the product has been damaged by accident, improper installation, unreasonable or improper use, lack of proper maintenance, unauthorized repairs or modifications, normal wear and tear, or other causes not arising out of defects in materials or workmanship.

Attwood products are warranted for use on pleasure boats. Any other use — including but not limited to commercial, racing, or non-marine use — are not covered under this warranty. Attwood's obligation under this warranty is limited to repair of the product at Attwood's plant or replacement of the products at Attwood's option without expense to the original consumer purchaser. Any expenses involved in the removal, reinstallation or transportation of the product are not covered by this warranty.

The product must be returned to Attwood's plant at the address above, postage pre-paid, and insured with proof of original purchase including date. If Attwood is unable to replace the product and repair is not commercially practical or

cannot be timely made, or if the original consumer purchaser is willing to accept a refund in lieu of repair or replacement, Attwood may refund the purchase price, less an amount for depreciation. The acceptance by Attwood of any product returned or any refund provided by Attwood shall not be deemed an admission that the product is defective or in violation of any warranty. Products that are replaced or for which a refund is issued become the property of Attwood.

THIS WARRANTY IS ATTWOOD'S ONLY EXPRESS WARRANTY OF THIS PRODUCT. NO IMPLIED WARRANTY SHALL EXTEND BEYOND FIVE (5) YEARS FROM THE DATE OF ORIGINAL CONSUMER PURCHASE. ATTWOOD SHALL NOT BE LIABLE FOR ANY DAMAGES FOR LOSS OF USE OF THIS PRODUCT, NOR FOR ANY OTHER INCIDENTAL OR CONSEQUENTIAL DAMAGES, COSTS OR EXPENSES.

Some states do not allow limitations on how long an implied warranty lasts or the exclusion or limitation of incidental or consequential damages, so the above limitations and exclusions may not apply to you. This warranty gives you specific legal rights, and you may have other rights which vary from state to state.